

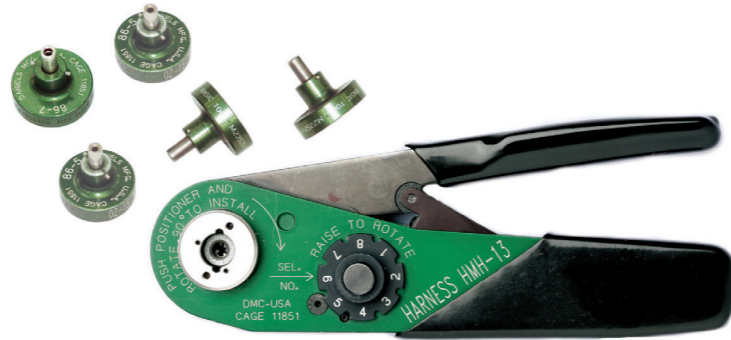
Introduction	개요 (Overview)	5
	품명구성 (Ordering Information)	6
	기술적 정보 (Technical Data)	7
MIL-DTL-26482 Series II Style Connector	MIL-DTL-26482 II Style (Crimp Type)	
	Narrow Flange Receptacle (YH3470)	8
	Cable Connecting Receptacle (YH3471)	8
	Wide Flange Receptacle (YH3472)	9
	Rear Mounting Jam Nut Receptacle (YH3474)	9
	Straight Plug, RFI Shielded (YH3475)	10
	Straight Plug (YH3476)	10
Sealing Plug/ Contacts/ Insertion/Removal Tools	11	
MIL-DTL-26482 II Style (Panel Cutouts)	Mounting Receptacle	12
	Jam Nut Receptacle	12
MIL-DTL-26482 II Style 절연체 회전위치 (Alternate Insert Position)		13
MIL-DTL-26482 II Style 접점 배열도 (Contact Arrangements)		14



# YH series

MIL-DTL-26482 Series II Style Connector  
ISO9001/ISO14001

Ordering Info: Green World Technologies Corporation  
www.gworldtech.com sales@gworldtech.com  
Ph. 1 (310) 774-0919 Fax: 1 (310) 217-0091



## 개요 (Overview)

MIL-DTL-26482 Series II Style 계열의 커넥터는 당사의 축적된 기술로 개발된 커넥터입니다. Bayonet Coupling 방식으로써 전기, 기계 및 환경적 특성이 우수하여 고도의 신뢰가 요구되는 항공장비 및 미사일 첨단통신장비 등에 널리 사용되고 있습니다. 특히 EMI 차폐성능이 탁월하여 전자파 방해를 완벽히 차단시키므로 전혀 외부간섭을 받지 않고 정확한 시그널라인을 구축할 수 있는 것이 장점입니다. 또한 케이블 작업 시 간단한 Crimp Tool로 결선이 가능하므로 납땜 작업 시 발생할 수 있는 불량을 방지할 수 있고 작업시간의 단축이 큰 장점입니다.

The MIL-DTL-26482 Series II Style connectors were developed based on years of our company's technological skills. These connectors use the Bayonet Coupling method, which have an excellent electrical, mechanical, and environmental characteristic. Therefore it is widely applied in fields that require the highest reliability such as aviation equipment and state-of-the-art missile communication tools. In particular, the EMI screening ability is excellent and can completely isolate electromagnetic waves which in turn can establish an accurate signal line without external interference. Also, when working with cables wiring is possible using a simple Crimp Tool. Thus, the distinctive features are that it can prevent defects during soldering and reduce the work time on the job.



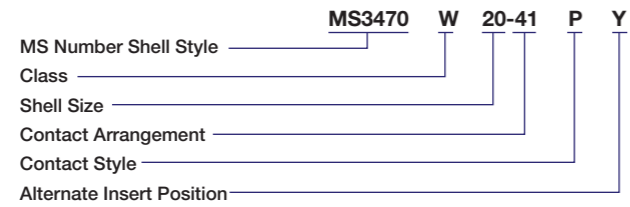
# YH series

MIL-DTL-26482 Series II Style Connector  
ISO9001/ISO14001



## 품명구성 (Ordering Information)

### Military Nomenclature



#### MS Number Shell Style

- MS3470 - Narrow Flange Receptacle
- MS3471 - Cable Connecting Receptacle
- MS3472 - Wide Flange Receptacle
- MS3474 - Jam Nut Receptacle
- MS3475 - Straight Plug, RFI Shielded
- MS3476 - Straight Plug

#### Class

- A - Fluid Resistant, 200°C Non-Conductive (Anodized)
- L - Fluid Resistant, 200°C Conductive (Electroless Nickel Plate)
- W - Corrosive and Fluid Resistant, 175°C (Olive drab Cadmium over Nick Plate)

#### Shell Size

- 8, 10, 12, 14, 16, 18, 20, 22, 24

#### Contact Arrangement

- MIL-STD-1669

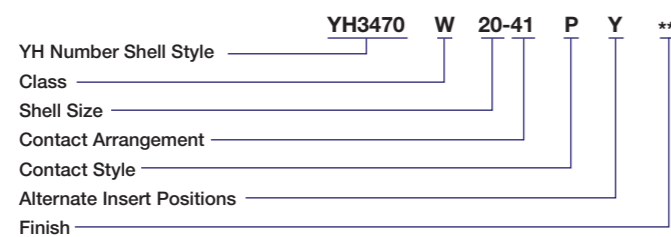
#### Contact Style

- P - Pin
- S - Socket

#### Alternate Insert Positions

- N (Normal), W, X, Y, Z (MIL-STD-1669)

### Yeonhab Nomenclature



#### YH Number Shell Style

- YH3470 - Narrow Flange Receptacle
- YH3471 - Cable Connecting Receptacle
- YH3472 - Wide Flange Receptacle
- YH3474 - Jam Nut Receptacle
- YH3475 - Straight Plug, RFI Shielded
- YH3476 - Straight Plug

#### Class

- A - Fluid Resistant, 200°C Non-Conductive (Anodized)
- L - Fluid Resistant, 200°C Conductive (Electroless Nickel Plate)
- W - Corrosive and Fluid Resistant, 175°C (Olive drab Cadmium over Nick Plate)

#### Shell Size

- 8, 10, 12, 14, 16, 18, 20, 22, 24

#### Contact Arrangement

- MIL-STD-1669 - see page 12

#### Contact Style

- P - Pin
- S - Socket

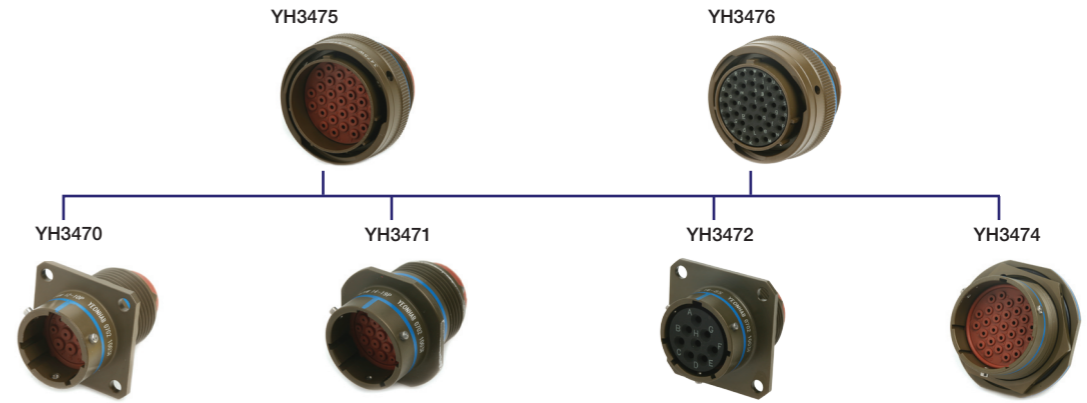
#### Alternate Insert Positions

- N (Normal), W, X, Y, Z (MIL-STD-1669) - see page 11

#### Finish

- Blank - Class(A, L, W)에 따른 도금.
- 04 - Black Zinc Cobalt Plate

## 결합안내 (Mating Face View)



## 기술적 정보 (Technical Data)

### 표준 재질 및 보호피막 (Standard Materials and Finishes)

Description	Materials	Finishes
몸체, 연결너트, 잼 너트 (Shell, Coupling Nut, Jam Nut)	Aluminium alloy	Electroless nickel per MIL-L-26074 Anodized per MIL-A-8625 or olive drab cadmium, over Nickel or Zinc over Nickel
절연체 (Insulators)	Rigid Dielectric	-
절연체 가스켓 및 그로멧, 오링 (Grommets, interfacial and O-ring Seals)	Silicone Rubber or Fluorosilicone Rubber	-
접점 (contacts)	Copper alloy	Gold plate per MIL-G-45204

### 전기적 특성 (Electrical Data)

Contact size	AWG wire size	Insulation O.D. Limits (mm)		Max Current For Test (amps)	Potential Drop (Millivolts at 25°C)
		Min	Max		
12	12	2.46	4.01	23	50
	14				
16	16	1.53	2.62	13	50
	20				
20	20	1.02	2.11	7.5	55
	24				
				3.0	45

Service Rating	Operating Voltage	Dielectric Withstanding Voltage (Test Voltage), AC (rms), 60cps			
	Max. AC (rms)	Sea Level	50,000 (ft)	70,000 (ft)	110,000 (ft)
I	600	1500	500	375	200
II	1000	2300	750	500	200

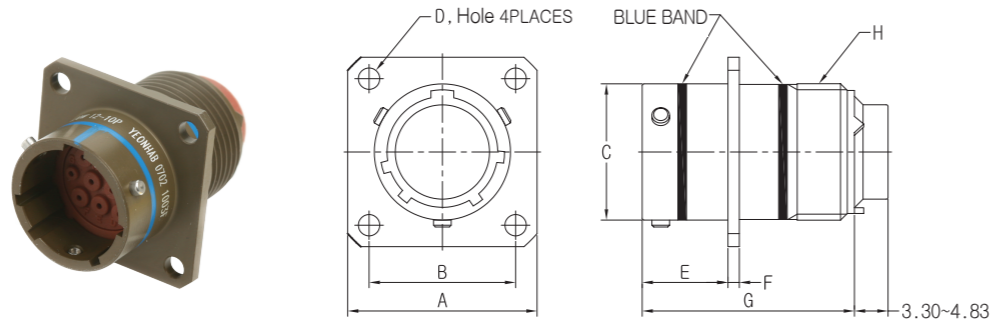
사용 온도 범위 (Operating Temperature Range)	-55°C ~ +200°C
절연저항 (Insulation Resistance)	5000MΩ Min (at 25°C )
내구성 (Durability)	500 cycle, mate and unmate

# MIL-DTL-26482 Series II Style (Crimp Type)

## Narrow Flange Mount Receptacle (MS3470)

YH3470

Bayonet Type



UNIT: mm

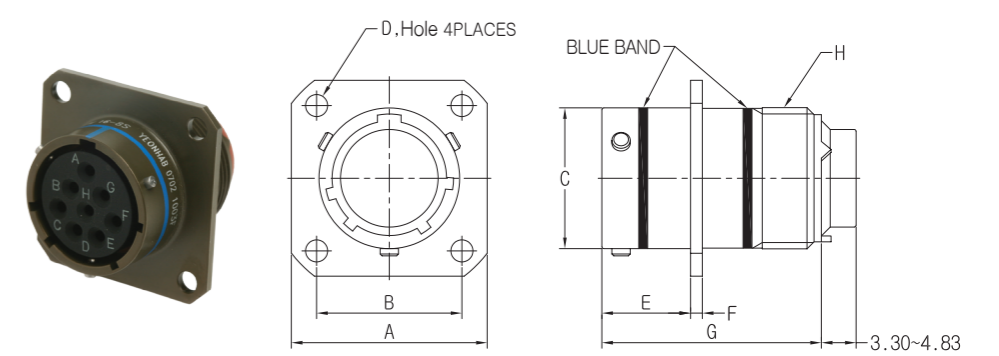
Shell Size	A Max.	B ±0.10	C Dia. +0.00 -0.15	D Dia.	E	F	G Max.	H Thread. (Class : 2A)
8	21.03	15.08	12.04	3.05	10.95~11.73	1.17~1.98	30.86	1/2-20UNF
10	24.23	18.26	15.01	3.05	10.95~11.73	1.17~1.98	30.86	5/8-24UNEF
12	26.59	20.62	19.08	3.05	10.95~11.73	1.17~1.98	30.86	3/4-24UNEF
14	28.98	23.01	22.25	3.05	10.95~11.73	1.17~1.98	30.86	7/8-20UNEF
16	31.34	24.61	25.43	3.05	10.95~11.73	1.17~1.98	30.86	1-20UNEF
18	33.73	26.97	28.60	3.05	10.95~11.73	1.17~1.98	30.86	1 1/16-18UNEF
20	36.91	29.36	31.78	3.05	14.12~14.91	1.98~2.79	32.39	1 3/16-18UNEF
22	40.08	31.75	34.95	3.05	14.12~14.91	1.98~2.79	32.39	1 5/16-18UNEF
24	43.26	34.93	38.13	3.73	14.96~15.75	1.98~2.79	32.39	1 7/16-18UNEF

# MIL-DTL-26482 Series II Style (Crimp Type)

## Wide Flange Mounting Receptacle (MS3472)

YH3472

Bayonet Type



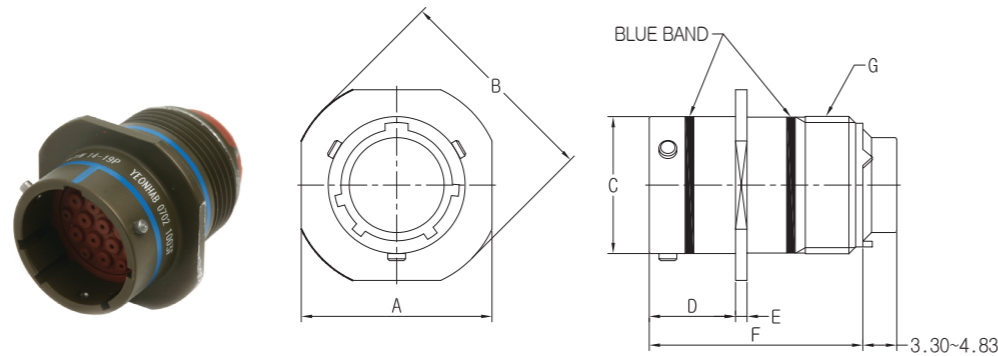
UNIT: mm

Shell Size	A Max.	B ±0.10	C Dia. +0.00 -0.15	D Dia.	E	F	G Max.	H Thread. (Class : 2A)
8	27.05	18.64	12.04	3.81	11.73~12.52	1.17~1.98	30.86	1/2-20UNF
10	28.98	20.62	15.01	3.81	11.73~12.52	1.17~1.98	30.86	5/8-24UNEF
12	32.16	23.83	19.08	3.81	11.73~12.52	1.17~1.98	30.86	3/4-24UNEF
14	34.54	26.19	22.25	3.81	11.73~12.52	1.17~1.98	30.86	7/8-20UNEF
16	36.91	28.58	25.43	3.81	11.73~12.52	1.17~1.98	30.86	1-20UNEF
18	38.91	30.56	28.60	3.81	11.73~12.52	1.17~1.98	30.86	1 1/16-18UNEF
20	42.88	32.94	31.78	3.81	14.12~14.91	1.98~2.79	32.39	1 3/16-18UNEF
22	44.86	34.93	34.95	3.81	14.12~14.91	1.98~2.79	32.39	1 5/16-18UNEF
24	48.03	38.10	38.13	3.81	14.96~15.75	1.98~2.79	32.39	1 7/16-18UNEF

## Cable Connecting Receptacle (MS3471)

YH3471

Bayonet Type



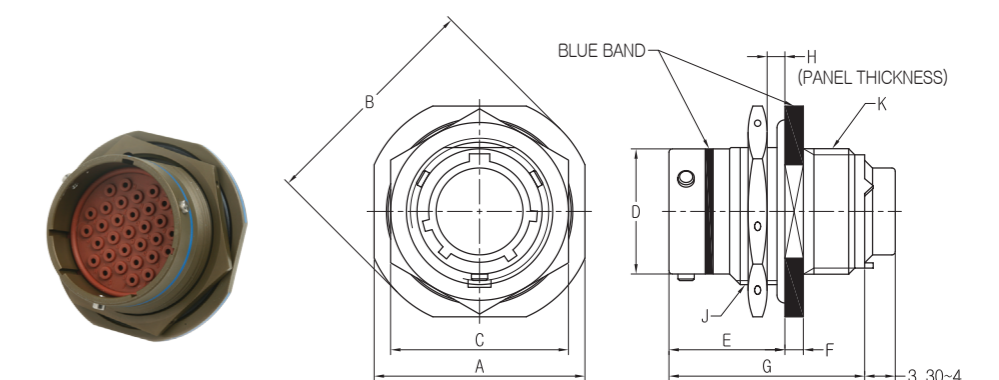
UNIT: mm

Shell Size	A Max.	B Dia.	C Dia. +0.00 -0.15	D	E	F Max.	G Thread. (Class : 2A)
8	21.03	23.33~24.33	12.04	10.95~11.73	1.17~1.98	30.86	1/2-20UNF
10	24.23	26.47~27.48	15.01	10.95~11.73	1.17~1.98	30.86	5/8-24UNEF
12	26.59	28.85~29.87	19.08	10.95~11.73	1.17~1.98	30.86	3/4-24UNEF
14	28.98	31.24~32.26	22.25	10.95~11.73	1.17~1.98	30.86	7/8-20UNEF
16	31.34	33.63~34.65	25.43	10.95~11.73	1.17~1.98	30.86	1-20UNEF
18	33.73	36.02~37.03	28.60	10.95~11.73	1.17~1.98	30.86	1 1/16-18UNEF
20	36.91	39.17~40.18	31.78	14.12~14.91	1.98~2.79	32.39	1 3/16-18UNEF
22	40.08	42.37~43.38	34.95	14.12~14.91	1.98~2.79	32.39	1 5/16-18UNEF
24	43.26	45.52~46.53	38.13	14.96~15.75	1.98~2.79	32.39	1 7/16-18UNEF

## Rear Mounting Jam Nut Receptacle (MS3474)

YH3474

Bayonet Type



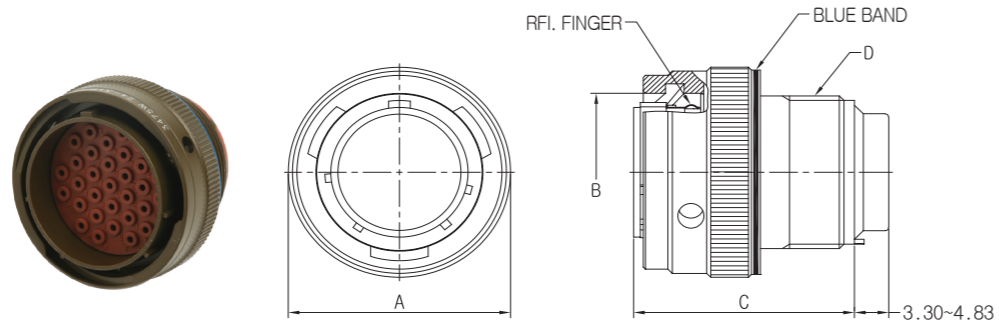
UNIT: mm

Shell Size	A Max.	B Dia.	C	D Dia. +0.00 -0.15	E	F	G Max.	H	J Thread. (Class : 2A)	K Thread. (Class : 2A)
8	23.44~24.23	26.59~27.38	19.48	12.04	16.71~17.95	2.19~2.87	30.86	1.57~4.75	9/16-24UNEF	1/2-20UNF
10	26.59~27.38	29.77~30.56	22.66	15.01	16.71~17.95	2.19~2.87	30.86	1.57~4.75	11/16-24UNEF	5/8-24UNEF
12	32.16~31.37	34.54~35.33	27.41	19.08	16.71~17.95	2.19~2.87	30.86	1.57~4.75	7/8-20UNEF	3/4-24UNEF
14	35.33~34.54	37.72~38.58	30.61	22.25	16.71~17.95	2.19~2.87	30.86	1.57~4.75	1-20UNEF	7/8-20UNEF
16	37.72~38.51	40.89~41.68	33.76	25.43	16.71~17.95	2.19~2.87	30.86	1.57~4.75	1 1/8-18UNEF	1-20UNEF
18	40.89~41.68	44.07~44.86	36.96	28.60	16.71~17.95	2.19~2.87	30.86	1.57~4.75	1 1/4-18UNEF	1 1/16-18UNEF
20	45.64~46.43	48.84~49.63	40.11	31.78	18.31~19.61	2.44~3.76	32.39	1.57~6.35	1 3/8-18UNEF	1 3/16-18UNEF
22	48.84~49.63	51.99~52.78	43.81	34.95	18.31~19.61	2.44~3.76	32.39	1.57~6.35	1 1/2-18UNEF	1 5/16-18UNEF
24	51.99~52.78	55.17~55.96	46.46	38.13	18.31~19.61	2.44~3.76	32.39	1.57~6.35	1 5/8-18UNEF	1 7/16-18UNEF

# MIL-DTL-26482 Series II Style (Crimp Type)

## Straight Plug, RFI Shielded (MS3475)

YH3475  
(RFI Ground finger type)  
Bayonet Type

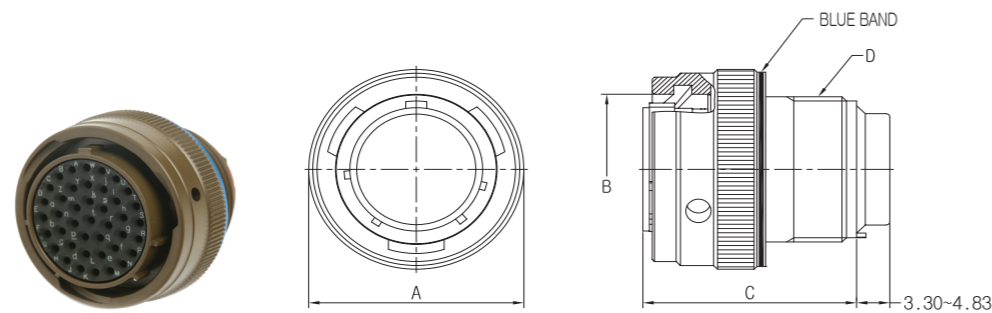


UNIT: mm

Shell Size	A Dia. Max.	B Dia.	C Max.	D Thread. (Class : 2A)
8	19.86	12.19~12.34	31.24	1/2-20UNF
10	23.52	15.27~15.42	31.24	5/8-24UNEF
12	26.49	19.30~19.46	31.24	3/4-24UNEF
14	30.04	22.45~22.61	31.24	7/8-20UNEF
16	33.15	25.63~25.78	31.24	1-20UNEF
18	35.33	28.83~28.98	31.24	1 1/16-18UNEF
20	38.89	31.98~32.13	31.24	1 3/16-18UNEF
22	42.06	35.15~35.31	31.24	1 5/16-18UNEF
24	45.14	38.33~38.48	31.24	1 7/16-18UNEF

## Straight Plug (MS3476)

YH3476  
Bayonet Type



UNIT: mm

Shell Size	A Dia. Max.	B Dia.	C Max.	D Thread. (Class : 2A)
8	19.86	12.19~12.34	31.24	1/2-20UNF
10	23.52	15.27~15.42	31.24	5/8-24UNEF
12	26.49	19.30~19.46	31.24	3/4-24UNEF
14	30.04	22.45~22.61	31.24	7/8-20UNEF
16	33.15	25.63~25.78	31.24	1-20UNEF
18	35.33	28.83~28.98	31.24	1 1/16-18UNEF
20	38.89	31.98~32.13	31.24	1 3/16-18UNEF
22	42.06	35.15~35.31	31.24	1 5/16-18UNEF
24	45.14	38.33~38.48	31.24	1 7/16-18UNEF

# MIL-DTL-26482 Series II Style (Crimp Type)

## Sealing Plug



Contact Size	MS Part Number	Color Code
20	MS27488-20	Red
16	MS27488-16	Blue
12	MS27488-12	Yellow

## Insertion / Removal Tools



Contact Size	Color Code	Part Number
20	Red/White	M81969/14-11
16	Blue/White	M81969/14-03
12	Yellow/White	M81969/14-04

## Contacts



Contact Size	Wire Range		Pin Contact MS Part Number	Socket Contact MS Part Number
	AWG	mm <sup>2</sup>		
20	20 ~ 24	0.2 ~ 0.6	M39029/4-110	M39029/5-115
16	16 ~ 20	0.5 ~ 1.4	M39029/4-111	M39029/5-116
12	12 ~ 14	2.0 ~ 3.0	M39029/4-113	M39029/5-118

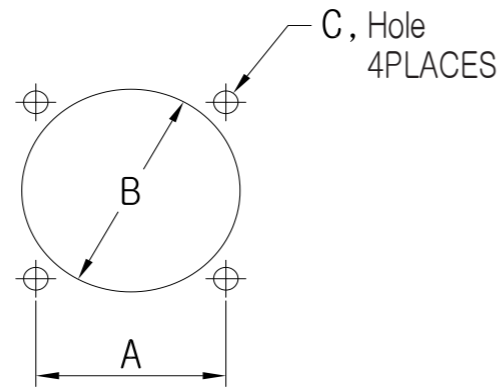
## Crimping Tools



Contact Size	Wire Range		Finished Wire Dia. Range		Crimping tool Part Number	Turret or Positioner Part Number
	AWG	mm <sup>2</sup>	Inch	mm		
20	20 ~ 24	0.2 ~ 0.6	.040 ~ .083	1.02 ~ 2.11	M22520/1-01 or M22520/2-01	M22520/1-02 or M22520/2-02
16	16 ~ 20	0.5 ~ 1.4	.053 ~ .103	1.34 ~ 2.62	M22520/1-01	M22520/1-02
12	12 ~ 14	2.0 ~ 3.0	.097 ~ .158	2.46 ~ 4.01	M22520/1-01	M22520/1-02

# MIL-DTL-26482 Series II Style Panel Cutouts

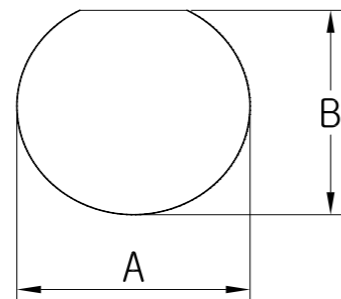
## Mounting Receptacle



UNIT: mm

Shell Size	Narrow Flange Mounting			Wide Flange Mounting		
	A	B Dia.	C Dia.	A ±0.10	B Dia.	C Dia.
8	14.96~15.21	14.30~14.55	2.79~3.30	18.64	14.30~14.55	3.56~4.06
10	18.14~18.39	17.27~17.53	2.79~3.30	20.62	17.27~17.53	3.56~4.06
12	20.50~20.75	21.82~22.07	2.79~3.30	23.83	21.82~22.07	3.56~4.06
14	22.89~23.14	24.99~25.25	2.79~3.30	26.19	24.99~25.25	3.56~4.06
16	24.49~24.74	28.14~28.40	2.79~3.30	28.58	28.14~28.40	3.56~4.06
18	26.85~27.10	31.32~31.57	2.79~3.30	30.56	31.32~31.57	3.56~4.06
20	29.24~29.49	34.49~34.75	2.79~3.30	32.94	34.49~34.75	3.56~4.06
22	31.62~31.88	37.67~37.92	2.79~3.30	34.93	37.67~37.92	3.56~4.06
24	34.80~35.05	40.89~41.15	3.48~3.99	38.10	40.89~41.15	3.56~4.06

## Jam Nut Receptacle

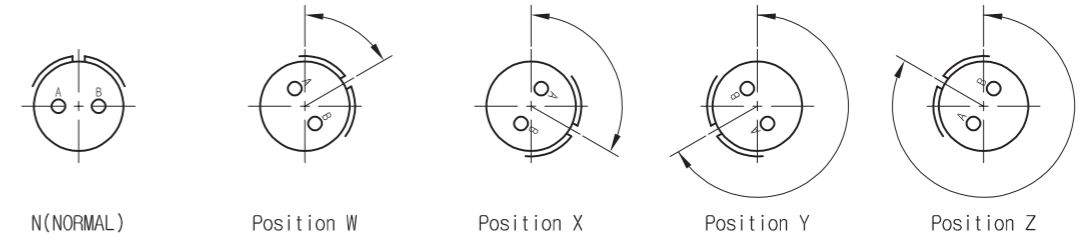


UNIT: mm

Shell Size	A Dia. ±0.13	B ±0.13
8	14.53	13.61
10	17.70	16.79
12	22.73	20.93
14	25.65	24.08
16	28.33	27.23
18	32.00	30.40
20	35.18	33.58
22	38.35	36.75
24	41.53	39.93

# MIL-DTL-26482 Series II Style 절연체 회전위치 (Alternate Insert Positions)

## INSERT AVAILABILITY AND IDENTIFICATION



View looking into front face of pin insert or rear of socket insert.

Shell Size	Contact Arrangement	Service Rating	Total Contacts	Contact Size			Alternate Insert Positions (Degree)			
				20	16	12	W	X	Y	Z
8	8-3	I	3	3			60	210		
	8-4	I	4	4			45			
	8-33	I	3	3			90			
	8-98	I	3	3						
10	10-6	I	6	6			90			
12	12-3	II	3	3					180	
	12-8	I	8	8			90	112	203	292
12	12-10	I	10	10			60	155	270	295
	14-4	I	4			4	45			
14	14-5	II	5		5		40	92	184	273
	14-12	I	12	8	4		43	90		
	14-15	I	15	14	1		17	110	155	234
	14-18	I	18	18			15	90	180	270
	14-19	I	19	19			30	165	315	
	16	16-8	II	8		8		54	152	180
16-14		I	14	8		6	25	78	180	240
16-23		I	23	22	1		158	270		
16-26		I	26	26			60		275	338
16-99		I	23	21	2		66	156	223	340
18	18-8	I	8			8	180			
	18-11	II	11		11		62	119	241	340
	18-32	I	32	32			85	138	222	265
20	20-16	II	16		16		238	318	333	347
	20-39	I	39	37	2		63	144	252	333
	20-41	I	41	41			45	126	225	
22	22-12	I	12			12				
	22-21	II	21		21		16	135	175	349
	22-41	I	41	27	14		39	135	264	
24	22-55	I	55	55			30	142	226	314
	24-19	I	19			19	30	165	315	
	24-31	I	31		31		90	225	255	
24	24-61	I	61	61			90	180	270	324

\* Please refer to MIL-STD-1669 for contact arrangements other than the ones in the table.

# MIL-DTL-26482 Series II Style 접점 배열도 (Contact Arrangements)

	Shell Size 8				Shell Size 10	Shell Size 12				
Insert Arrangement										
Service Rating	I	I	I	I	I	II	I	I		
Number of Contacts	3	4	3	3	6	3	8	10		
Contact Size	20	20	20	20	20	16	20	20		
	Shell Size 14						Shell Size 16		Shell Size 18	
Insert Arrangement										
Service Rating	I	II	I	I	I	I	I	I	I	I
Number of Contacts	4	5	8	14	18	19	8	6	22	26
Contact Size	12	16	20	20	20	20	16	16	20	20
	Shell Size 18					Shell Size 20				
Insert Arrangement										
Service Rating	II	II	I	I	I	I	I	II	I	I
Number of Contacts	8	11	29	16	37	41	12	21	27	55
Contact Size	16	16	20	16	20	16	12	16	20	20
	Shell Size 22				Shell Size 24					
Insert Arrangement										
Service Rating	I	I	I	I	I	I	I			
Number of Contacts	19	31	61	19	31	61	19			
Contact Size	12	16	20	12	16	20	12			

1. View looking into front face of pin insert(+insulator).  
 2. Please make a direct inquiry for the information not contained in the table.  
 3. The contact arrangement in the table meets the MIL-STD-1669 standards.

Contact Legend

